



Part #: OV350DWDMTLS

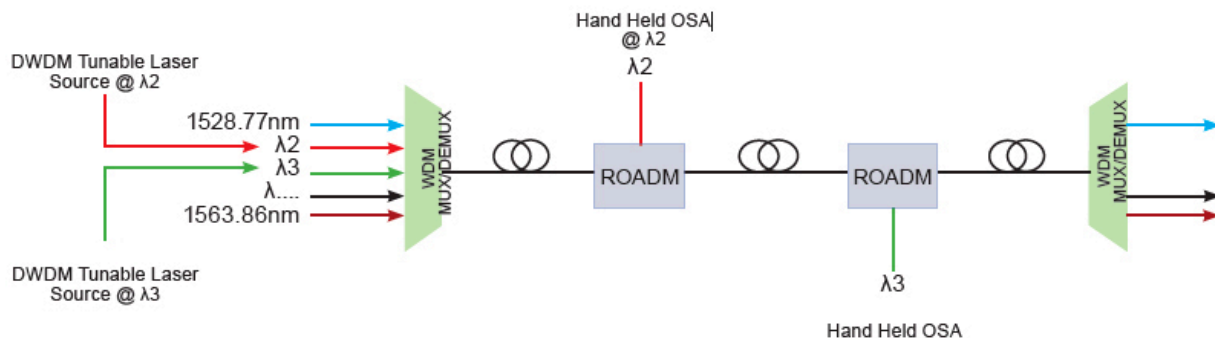
FEATURES

- Selectable Step Size Down to 50 GHz
- Selectable Start & Stop Channels
- Settable in Wavelength, Frequency or ITU Channel
- Settable Dwell Time
- Rugged Case with Impact Resistant Boot
- Simple Operation with On-Board Help Mode
- IEC61300 Auto Pass/Fail/Centering Fiber Inspection Software
- Visible Fault Locator (650nm)
- Interchangeable Fiber Optic Connectors
- Up to 98 Channels on the ITU Grid (ch. 14 - 62.5)
- 4" Color Touch Display
- 10 hr Battery Life
- 270/1000/2000Hz Modulation

APPLICATIONS

- Support ROADM Network Test
- WDM, GFF, AWG, PLC, & ATM System Trouble Shooting
- Fiber Sensors Test
- PMD and PDL Measurement
- Fiber Optic Telcom and CATV Test Applications
- Impact Field Testing System
- Fiber Characterization in DWDM Networks
- Verify ROADM Channel Routing

The Fiber Instrument Sales OV350-DWDM Hand Held Tunable Laser Source (TLS) is available with up to 98 Channels in the "C" Band. This Tunable Laser Source is manufactured in our rugged housing with a highly protective boot. Our TLS displays in wavelength, frequency or ITU channel. It is a great match with our Hand Held Optical Spectrum Analyzer (See P/N: OV350DW96) for installation, commissioning and trouble shooting of DWDM networks. The unit offers a fast start up with minimal warm up required and provides very stable wavelength and power outputs. The DWDM-TLS also incorporates an IEC61300 Auto Pass/Fail/Centering Fiber Optic Video Scope (p/n: VIS-300; probe sold separately) and a Visible Fault Locator. As with all of our advanced tests equipment series, the OV350 model, DWDM-TLS is affordable, easy to use and rugged.



FIS OV350 DWDM TUNABLE LIGHT SOURCE



SPECIFICATIONS

Range	Frequency 191.4- 196.25 THz Wavelengths 1527.61-1566.31nm ITU Channels 14 - 62.5
Frequency Accuracy	+/- 2.5 GHz
Line Width	100 kHz
Side Mode Suppression Ration	40 dB
Maximum Output Power	up to 13 dBm (Typ.)
Output Power Range	6 dB (Typ.)
Power Setting Resolution	0.01 dB
Power Variation over Wavelength Range	± 0.5 dB
Minimum Channel Spacing	50 GHz (0.4nm)
Fiber Type	9/125 µm
Relative Intensity Noise	-140 dB/Hz
Graphical Display	4 in Color Touch Screen
Dimensions	5.25" L x 6.125" W x 2.5" H / (133mm L x 156mm W x 64mm H)
Weight	1.5 lbs (0.7 kg)
Battery	Li-pol, 10hr typ.
Power Requirement	USB 5V, 2A
Operating Temperature	-10°C to 40°C
Storage Temperature	-20°C to 60°C
Accessories Included	5V, 3.4A USB Wall Charge with USB cable, 2 stylus, FIS Connect PC Software, manual

Video Inspection Probe



VIS-300

ADDITIONAL ADAPTER TIPS

AC 040B	SC Adapter
AC 041B	SC / APC Adapter
AC 109B	SC 60-Degree Angle Adapter
AC 042B	FC Adapter
AC 043B	FC/APC Adapter
AC 104B	FC, 60° Angle Adapter
AC 044B	LC Adapter
AC 045B	LC/APC Adapter
AC 107B	LC, 60° Angle Adapter
AC 051B	OptiTap Adapter
AC 046B	ST Adapter
AC 047B	MTP/APC Adapter
AC 050B	MTP/MPO Straight Adapter
AC 048B	1.25mm Universal Adapter
AC 049B	2.5mm Universal Adapter
AC 114B	1.25mm Universal HR Adapter
AC 115B	2.5mm Universal APC Adapter
AC 116B	1.25mm Universal APC Adapter